

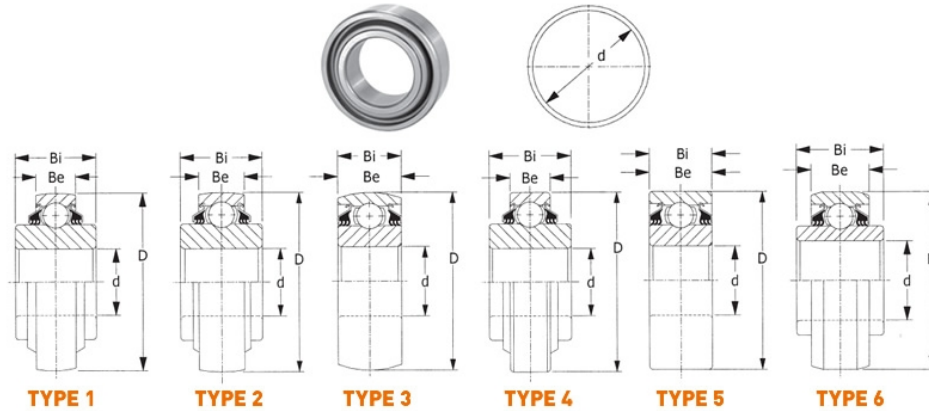
TABLE OF CONTENTS

Bearings type

- Round Bore Non-Relubricable 2
- Round Bore Relubricable 3
- Square Bore Non-Relubricable..... 4
- Square Bore Relubricable..... 5
- Hex Bore Series..... 6
- 200 Series 8
- Other 9

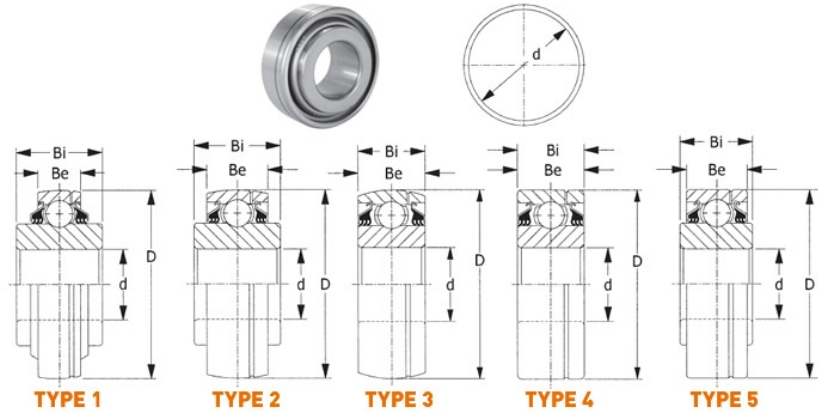
ISUTAMI AG bearings interchange 13

— Round Bore Non-Relubricable



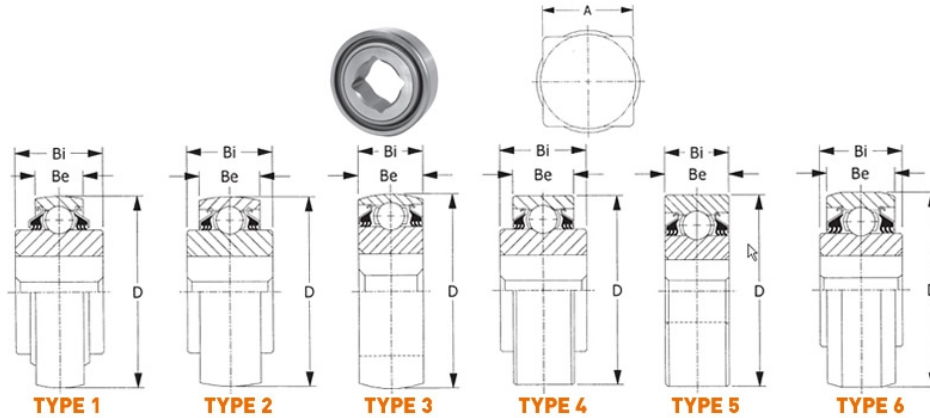
Unit No.	TYPE	d		D		Be		Bi		Load Ratings	
		Nominal	TOL.+0/ to Minus Shown	Nominal	TOL.+0/ to Minus Shown	Nominal	TOL.+0/ to Minus Shown	Nominal	TOL.+0/ to Minus Shown	Dynamic	Static
W208PPB2	1	1.5005" 38.113	0.0005" 0.013	3.1496" 80.000	0.0005" 0.013	0.7090" 18.000	0.0050" 0.127	1.6880" 42.875	0.0050" 0.127	7340	3650
W208PPB7	2	1.1880" 30.175	0.0005" 0.013	3.1496" 80.000	0.0005" 0.013	0.7090" 18.000	0.0050" 0.127	1.1880" 30.175	0.0050" 0.127	7340	3650
W208PP10	4	1.5005" 38.113	0.0005" 0.013	3.1496" 80.000	0.0005" 0.013	0.8270" 21.000	0.0050" 0.127	1.6880" 42.875	0.0050" 0.127	7340	3650
W208PPB10	1	1.5005" 38.113	0.0005" 0.013	3.1496" 80.000	0.0005" 0.013	0.8270" 21.000	0.0050" 0.127	1.6880" 42.875	0.0050" 0.127	7340	3650
W208PPB23	2	1.5005" 38.113	0.0005" 0.013	3.1496" 80.000	0.0005" 0.013	1.1880" 30.175	0.0050" 0.127	1.6880" 42.875	0.0050" 0.127	7340	3650
W209PPB2	3	1.7717" 45.000	0.0005" 0.013	3.3460" 85.000	0.0006" 0.015	1.1880" 30.175	0.0050" 0.127	1.1880" 30.175	0.0050" 0.127	7350	4150
W209PPB4	3	1.5350" 39.000	0.0100" 0.254	3.3460" 85.000	0.0006" 0.015	1.1880" 30.175	0.0050" 0.127	1.1880" 30.175	0.0050" 0.127	7350	4150
W210PP2	5	1.9380" 49.225	0.0005" 0.013	3.5433" 90.000	0.0006" 0.015	1.1880" 30.175	0.0050" 0.127	1.1880" 30.175	0.0050" 0.127	7880	4650
W210PPB2	3	1.9380" 49.225	0.0005" 0.013	3.5433" 90.000	0.0006" 0.015	1.1880" 30.175	0.0050" 0.127	1.1880" 30.175	0.0050" 0.127	7880	4650
W210PPB5	3	1.7850" 45.339	0.0100" 0.254	3.5433" 90.000	0.0006" 0.015	1.1880" 30.175	0.0050" 0.127	1.1880" 30.175	0.0050" 0.127	7880	4650
W210PP8	5	1.5300" 38.862	0.0100" 0.254	3.5433" 90.000	0.0006" 0.015	1.1880" 30.175	0.0050" 0.127	1.1880" 30.175	0.0050" 0.127	7880	4650
W210PPB9	2	1.9448" 49.400	0.0070" 0.178	3.5433" 90.000	0.0006" 0.015	0.9055" 23.000	0.0050" 0.127	1.4382" 36.530	0.0050" 0.127	7880	4650
W211PP2	5	2.1880" 55.575	0.0006" 0.015	3.9370" 100.000	0.0006" 0.015	1.3120" 33.325	0.0060" 0.152	1.3120" 33.325	0.0060" 0.152	9740	5850
W211PPB2	3	2.1880" 55.575	0.0006" 0.015	3.9370" 100.001	0.0006" 0.015	1.3120" 33.325	0.0060" 0.152	1.3120" 33.325	0.0060" 0.152	9740	5850
W211PPB4	6	2.1880" 55.575	0.0006" 0.015	3.9370" 100.002	0.0006" 0.015	1.3120" 33.325	0.0060" 0.152	2.1870" 55.500	0.0060" 0.152	9740	5850
W214PP2	5	2.7559" 70.000	0.0006" 0.015	4.9213" 125.000	0.0008" 0.020	1.5620" 39.675	0.0060" 0.152	1.5620" 39.675	0.0060" 0.152	14000	8800
W214PPB2	3	2.7559" 70.000	0.0006" 0.015	4.9213" 125.000	0.0008" 0.020	1.5620" 39.675	0.0060" 0.152	1.5620" 39.675	0.0060" 0.152	14000	8800
W214PPB9	3	2.7660" 70.256	0.0010" 0.025	4.9213" 125.000	0.0008" 0.020	1.1020" 28.000	0.0060" 0.152	1.7500" 44.450	0.0060" 0.152	14000	8800

— Round Bore Relubricable



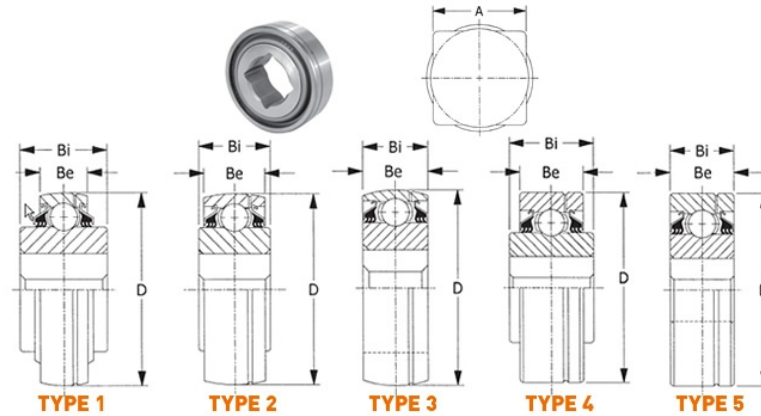
Unit No.	TYPE	d		D		Be		Bi		Load Ratings	
		Nominal	TOL. +0/ to Minus Shown	Nominal	TOL. +0/ to Minus Shown	Nominal	TOL. +0/ to Minus Shown	Nominal	TOL. +0/ to Minus Shown	Dynamic	Static
GW209PPB2	3	1.7717"	0.0005"	3.3465"	0.0006"	1.1880"	0.0050"	1.1880"	0.0050"	7350	4150
		45.000	0.013	85.000	0.015	30.175	0.127	30.175	0.127		
GW209PPB4	3	1.5350"	0.0100"	3.3465"	0.0006"	1.1880"	0.0050"	1.1880"	0.0050"	7350	4150
		39.000	0.254	85.000	0.015	30.175	0.127	30.175	0.127		
GW209PPB11	1	1.7810"	0.0100"	3.3465"	0.0006"	0.8660"	0.0050"	1.4380"	0.0050"	7350	4150
		45.237	0.254	85.000	0.015	22.000	0.127	36.525	0.127		
GW210PPB2	3	1.9380"	0.0005"	3.5433"	0.0006"	1.1880"	0.0050"	1.1880"	0.0050"	7880	4650
		49.225	0.013	90.000	0.015	30.175	0.127	30.175	0.127		
GW210PPB5	3	1.7850"	0.0100"	3.5433"	0.0006"	1.1880"	0.0050"	1.1880"	0.0050"	7880	4650
		45.339	0.254	90.000	0.015	30.175	0.127	30.175	0.127		
GW210PP9	5	1.9450"	0.0070"	3.5433"	0.0006"	0.9060"	0.0050"	1.4380"	0.0050"	7880	4650
		49.403	0.178	90.000	0.015	23.000	0.127	36.525	0.127		
GW211PP2	4	2.1880"	0.0006"	3.9370"	0.0006"	1.3120"	0.0060"	1.3120"	0.0060"	9740	5850
		55.575	0.015	100.000	0.015	33.325	0.152	33.325	0.152		
GW211PPB2	3	2.1880"	0.0006"	3.9370"	0.0006"	1.3120"	0.0060"	1.3120"	0.0060"	9740	5850
		55.575	0.015	100.000	0.015	33.325	0.152	33.325	0.152		
GW211PPB8	1	2.1880"	0.0006"	3.9370"	0.0006"	0.9840"	0.0060"	1.3120"	0.0060"	9740	5850
		55.575	0.015	100.000	0.015	25.000	0.152	33.325	0.152		
GW211PPB9	1	2.1950"	0.0070"	3.9370"	0.0006"	0.9840"	0.0060"	1.3120"	0.0060"	9740	5850
		55.753	0.178	100.000	0.015	25.000	0.152	33.325	0.152		
GW211PPB10	3	1.9380"	0.0006"	3.9370"	0.0006"	1.3120"	0.0060"	1.3120"	0.0060"	9740	5850
		49.225	0.015	100.000	0.015	33.325	0.152	33.325	0.152		
GW211PPB13	1	1.7850"	0.0100"	3.9370"	0.0006"	0.9840"	0.0060"	1.3120"	0.0060"	9740	5850
		45.339	0.254	100.000	0.015	25.000	0.152	33.325	0.152		
GW211PPB14	1	2.0150"	0.0100"	3.9370"	0.0006"	0.9840"	0.0060"	1.3120"	0.0060"	9740	5850
		51.181	0.254	100.000	0.015	25.000	0.152	33.325	0.152		
GW211PP25	5	1.7800"	0.0050"	3.9370"	0.0006"	1.3120"	0.0060"	1.7500"	0.0060"	9740	5850
		45.212	0.127	100.000	0.015	33.325	0.152	44.450	0.152		
GW214PP2	4	2.7559"	0.0006"	4.9213"	0.0008"	1.5620"	0.0060"	1.5620"	0.0060"	14000	8800
		70.000	0.015	125.000	0.020	39.675	0.152	39.675	0.152		
GW214PPB2	3	2.7559"	0.0006"	4.9213"	0.0008"	1.5620"	0.0060"	1.5620"	0.0060"	14000	8800
		70.000	0.016	125.000	0.020	39.675	0.152	39.675	0.152		
GW214PPB3	3	1.9380"	0.0006"	4.9213"	0.0008"	1.5620"	0.0060"	1.5620"	0.0060"	14000	8800
		49.225	0.017	125.000	0.020	39.675	0.152	39.675	0.152		
GW214PPB5	2	2.7559"	0.0006"	4.9213"	0.0008"	1.5620"	0.0060"	2.4380"	0.0060"	14000	8800
		70.000	0.018	125.000	0.020	39.675	0.152	61.925	0.152		
GW214PPB6	1	2.6881"	0.0006"	4.9213"	0.0008"	1.1024"	0.0060"	2.6875"	0.0060"	14000	8800
		68.278	0.019	125.000	0.020	28.000	0.152	68.263	0.152		

— Square Bore Non-Relubricable



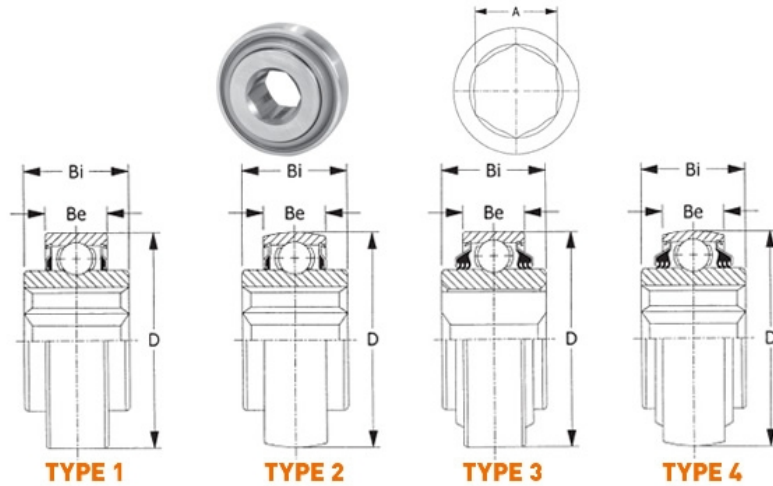
Unit No.	TYPE	Shaft Size	A		D		Be Nominal	Bi Nominal	Be & Bi TOL. +0/ to Minus	Load Ratings	
			Nominal	Tol.	Nominal	TOL. +0/ to Minus Shown				Dynamic	Static
W208PP5	4	1 1/8" 28.575	1.1800" 29.970	±0.005" 0.127	3.1496" 80.000	0.0005" 0.013	0.7090" 18.000	1.4380" 36.520	0.0050" 0.127	7340	3650
W208PPB5	1	1 1/8" 28.575	1.1800" 29.970	±0.005" 0.127	3.1496" 80.000	0.0005" 0.013	0.7090" 18.000	1.4380" 36.520	0.0050" 0.127	7340	3650
W208PP6	4	1" 25.400	1.0300" 26.162	±0.005" 0.127	3.1496" 80.000	0.0005" 0.013	0.7090" 18.000	1.4380" 36.520	0.0050" 0.127	7340	3650
W208PPB6	1	1" 25.400	1.0300" 26.162	±0.005" 0.127	3.1496" 80.000	0.0005" 0.013	0.7090" 18.000	1.4380" 36.520	0.0050" 0.127	7340	3650
W208PP8	4	1 1/8" 28.575	1.1800" 29.972	±0.005" 0.127	3.1496" 80.000	0.0005" 0.013	1.1880" 30.175	1.4380" 36.520	0.0050" 0.127	7340	3650
W208PPB8	2	1 1/8" 28.575	1.1800" 29.972	±0.005" 0.127	3.1496" 80.000	0.0005" 0.013	1.1880" 30.175	1.4380" 36.520	0.0050" 0.127	7340	3650
W208PPB9	2	1" 25.400	1.0300" 26.162	±0.005" 0.127	3.1496" 80.000	0.0005" 0.013	1.1880" 30.175	1.4380" 36.520	0.0050" 0.127	7340	3650
W208PPB11	6	7/8" 22.225	0.9050" 23.000	±0.005" 0.127	3.3760" 85.750	0.0005" 0.013	1.1880" 30.175	1.4380" 36.520	0.0050" 0.127	7340	3650
W208PPB12	6	1 1/8" 28.575	1.1800" 29.972	±0.005" 0.127	3.3760" 85.750	0.0005" 0.013	1.1880" 30.175	1.4380" 36.520	0.0050" 0.127	7340	3650
W208PPB13	1	7/8" 22.225	0.9050" 23.000	±0.005" 0.127	3.3760" 85.750	0.0005" 0.013	0.7090" 18.000	1.4380" 36.520	0.0050" 0.127	7340	3650
W209PPB5	2	1 1/4" 31.750	1.2900" 32.766	±0.005" 0.127	3.3465" 85.000	0.0005" 0.013	1.1880" 30.175	1.4380" 36.520	0.0050" 0.127	7350	4150
W209PPB7	6	1 1/4" 31.750	1.2900" 32.766	±0.005" 0.127	3.3760" 85.750	0.0005" 0.013	1.1880" 30.175	1.4375" 36.510	0.0050" 0.127	7350	4150
W210PP4	5	1 1/8" 28.575	1.1800" 29.972	±0.005" 0.127	3.5433" 90.000	0.0005" 0.013	1.1880" 30.175	1.1880" 30.150	0.0050" 0.127	7880	4650
W210PPB4	3	1 1/8" 28.575	1.1800" 29.972	±0.005" 0.127	3.5433" 90.000	0.0005" 0.013	1.1880" 30.175	1.1880" 30.175	0.0050" 0.127	7880	4650
W210PPB6	2	1 1/8" 28.575	1.1800" 29.972	±0.005" 0.127	3.5433" 90.000	0.0005" 0.013	1.1880" 30.175	1.4380" 36.520	0.0050" 0.127	7880	4650
W211PP3	5	1 1/2" 38.100	1.5311" 38.890	±0.005" 0.127	3.9370" 100.000	0.0006" 0.015	1.3120" 33.324	1.3120" 33.324	0.0060" 0.152	9740	5850
W211PPB3	3	1 1/2" 38.100	1.5311" 38.890	±0.005" 0.127	3.9370" 100.000	0.0006" 0.015	1.3120" 33.324	1.3120" 33.324	0.0060" 0.152	9740	5850
W211PP5	4	1 1/2" 38.100	1.5311" 38.890	±0.005" 0.127	4.0000" 101.600	0.0006" 0.015	1.4380" 36.520	1.7500" 44.450	0.0060" 0.152	9740	5850
W211PPB6	6	1 1/2" 38.100	1.5311" 38.890	±0.005" 0.127	4.0770" 103.556	0.0006" 0.015	1.4380" 36.520	1.7500" 44.450	0.0060" 0.152	9740	5850

— Square Bore Relubricable



Unit No.	TYPE	Shaft Size	A		D		Be Nominal	Bi Nominal	Be & Bi TOL. +0/ to Minus	Load Ratings	
			Nominal	Tol.	Nominal	TOL. +0/ to Minus Shown				Dynamic	Static
GW208PPB5	1	1 1/8" 28.575	1.1800" 29.972	±0.005" 0.127	3.1496" 80.000	0.0005" 0.013	0.8270" 21.000	1.4380" 36.525	0.0050" 0.127	7340	3650
GW208PPB6	1	1" 25.400	1.0300" 26.162	±0.005" 0.127	3.1496" 80.000	0.0005" 0.013	0.8270" 21.000	1.4380" 36.525	0.0050" 0.127	7340	3650
GW208PPB8	2	1 1/8" 28.575	1.1800" 29.972	±0.005" 0.127	3.1496" 80.000	0.0005" 0.013	1.1880" 30.175	1.4380" 36.525	0.0050" 0.127	7340	3650
GW208PP17	4	1 1/8" 28.575	1.1800" 29.972	±0.005" 0.127	3.3755" 85.738	0.0005" 0.013	1.1880" 30.175	1.4380" 36.525	0.0050" 0.127	7340	3650
GW208PPB17	2	1 1/8" 28.575	1.1800" 29.973	±0.005" 0.127	3.3755" 85.738	0.0005" 0.013	1.1880" 30.175	1.4380" 36.525	0.0050" 0.127	7340	3650
GW209PPB5	2	1 1/4" 31.750	1.2900" 32.776	±0.005" 0.127	3.3465" 85.000	0.0005" 0.013	1.1880" 30.175	1.4380" 36.525	0.0050" 0.127	7350	4150
GW209PPB8	1	1 1/4" 31.750	1.2900" 32.776	±0.005" 0.127	3.3465" 85.000	0.0005" 0.013	0.8660" 22.000	1.4380" 36.525	0.0050" 0.127	7350	4150
GW210PP4	5	1 1/8" 28.575	1.1800" 29.972	±0.005" 0.127	3.5433" 90.000	0.0006" 0.015	1.1880" 30.175	1.1880" 36.525	0.0050" 0.127	7880	4650
GW210PPB4	3	1 1/8" 28.575	1.1800" 29.972	±0.005" 0.127	3.5433" 90.000	0.0006" 0.015	1.1880" 30.175	1.4380" 36.525	0.0050" 0.127	7880	4650
GW211PP3	5	1 1/2" 38.100	1.5311" 39.890	±0.005" 0.127	3.9370" 100.000	0.0006" 0.015	1.3120" 33.325	1.3120" 33.325	0.0060" 0.152	9740	5850
GW211PPB3	3	1 1/2" 38.100	1.5311" 39.890	±0.005" 0.127	3.9370" 100.000	0.0006" 0.015	1.3120" 33.325	1.3120" 33.325	0.0060" 0.152	9740	5850
GW211PP5	4	1 1/2" 38.100	1.5311" 39.890	±0.005" 0.127	4.0000" 101.600	0.0006" 0.015	1.4380" 36.325	1.7500" 44.450	0.0060" 0.152	9740	5850
GW211PP17	4	1 1/2" 38.100	1.5311" 39.890	±0.005" 0.127	3.9370" 100.000	0.0006" 0.015	1.3120" 33.325	1.7500" 44.450	0.0060" 0.152	9740	5850
GW211PPB17	1	1 1/2" 38.100	1.5311" 39.890	±0.005" 0.127	3.9370" 100.000	0.0006" 0.015	1.3120" 33.325	1.7500" 44.450	0.0060" 0.152	9740	5850
GW212PP50	4	1 3/4" 44.450	1.7400" 45.466	±0.005" 0.127	4.3307" 110.000	0.0006" 0.015	1.5060" 38.252	2.0000" 50.800	0.0059" 0.150	11790	8110
GW214PPB4	3	2" 50.800	2.0551" 52.200	±0.005" 0.127	4.9213" 125.000	0.0008" 0.020	1.5620" 39.675	1.5620" 39.675	0.0060" 0.152	14000	8800
GW216PP2	4	2 1/4" 57.150	2.3150" 58.800	±0.005" 0.127	5.5118" 140.000	0.0008" 0.020	1.1810" 30.000	2.5000" 63.500	0.0060" 0.152	16280	10400

— Hex Bore Series



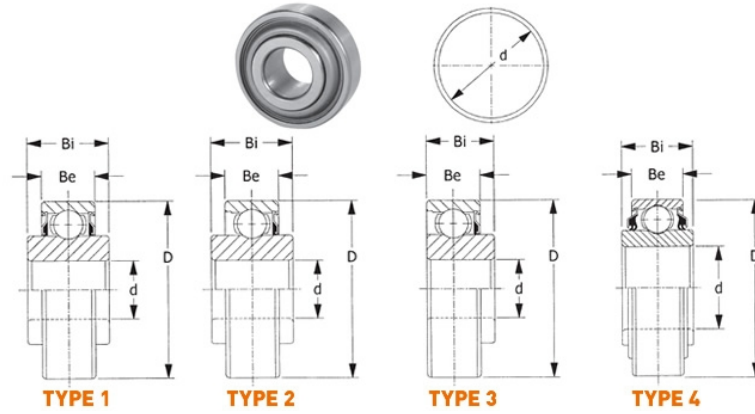
Unit No.	TYPE	Shaft Size	A Nominal	B & A TOL.-0/ to Minus	D		Be Nominal	Bi Nominal	Be & Bi TOL.+0/ to Minus	Load Ratings	
					Nominal	TOL.+0/ to Minus Shown				Dynamic	Static
202KRR3	1	9/16	0.5630" 14.300	0.0050" 0.127	1.3780" 35.000	0.0005" 0.013	0.4330" 11.000	0.5120" 13.000	0.0050" 0.127	2160	1000
204KPP2	3	11/16	0.6950" 17.653	0.0050" 0.127	1.8504" 47.000	0.0005" 0.013	0.5510" 14.000	0.8250" 20.955	0.0050" 0.127	2900	1000
204KRR2	1	11/16	0.6950" 17.653	0.0050" 0.127	1.8504" 47.000	0.0005" 0.013	0.5510" 14.000	0.8250" 20.955	0.0050" 0.127	2900	1410
204KRRB2	2	11/16	0.6950" 17.653	0.0050" 0.127	1.8504" 47.000	0.0005" 0.013	0.5510" 14.000	0.8250" 20.955	0.0050" 0.127	2900	1410
205KPP2	3	7/8	0.8760" 22.250	0.0050" 0.127	2.0472" 52.000	0.0005" 0.013	0.5910" 15.000	1.0000" 25.400	0.0050" 0.127	3150	1610
205KRR2	1	7/8	0.8760" 22.250	0.0050" 0.127	2.0472" 52.000	0.0005" 0.013	0.5910" 15.000	1.0000" 25.400	0.0050" 0.127	3150	1610
205KPPB2	4	7/8	0.8760" 22.250	0.0050" 0.127	2.0472" 52.000	0.0005" 0.013	0.5910" 15.000	1.0000" 25.400	0.0050" 0.127	3150	1610
205KRRB2	2	7/8	0.8760" 22.250	0.0050" 0.127	2.0472" 52.000	0.0005" 0.013	0.5910" 15.000	1.0000" 25.400	0.0050" 0.127	3150	1610
206KPP4***	3	1	1.0010" 25.425	0.0050" 0.127	2.4409" 62.000	0.0005" 0.013	0.6299" 16.000	1.0600" 26.924	0.0050" 0.127	4370	2320
G206KPPB4*	4	1	1.0010" 25.425	0.0050" 0.127	2.4409" 62.000	0.0005" 0.013	0.7087" 18.000	0.9450" 24.000	0.0050" 0.127	4370	2320
206KRR6	1	1	1.0010" 25.425	0.0050" 0.127	2.4409" 62.000	0.0005" 0.013	0.6300" 16.000	0.9450" 24.000	0.0050" 0.127	4370	2320
206KRRB6	2	1	1.0010" 25.425	0.0050" 0.127	2.4409" 62.000	0.0005" 0.013	0.6300" 16.000	0.9450" 24.000	0.0050" 0.127	4370	2320
G207KPPB2*	4	1 1/8	1.1260" 28.600	0.0050" 0.127	2.8346" 72.000	0.0005" 0.013	0.7480" 19.000	1.4840" 37.694	0.0050" 0.127	5770	3150
207KRRB9	2	1 1/8	1.1260" 28.600	0.0050" 0.127	2.8346" 72.000	0.0005" 0.013	0.6690" 17.000	1.4840" 37.694	0.0050" 0.127	5770	3150
207KRRB12	2	1 1/8	1.1260" 28.600	0.0050" 0.127	2.8346" 72.000	0.0005" 0.013	0.6690" 17.000	0.9840" 25.000	0.0050" 0.127	5770	3150
GW208PPB22*	4	1 1/4	1.2510" 31.877	0.0050" 0.127	3.1496" 80.000	0.0005" 0.013	0.8270" 21.000	1.4380" 36.520	0.0050" 0.127	7340	3650
W208KRRB6	2	1 3/8	1.3760" 34.950	0.0050" 0.127	3.1496" 80.000	0.0005" 0.013	0.8270" 21.000	1.4380" 36.520	0.0050" 0.127	7340	3650
W208PPB16	4	1 1/4	1.2510" 31.877	0.0050" 0.127	3.1496" 80.000	0.0005" 0.013	0.7090" 18.000	1.4380" 36.520	0.0050" 0.127	7340	3650
W208PP21	3	1 1/4	1.2510" 31.878	0.0050" 0.127	3.1496" 80.000	0.0005" 0.013	0.7090" 18.000	1.4380" 36.520	0.0050" 0.127	7340	3650
G209KPPB2*	4	1 1/2	1.5010" 38.125	0.0050" 0.127	3.3465" 85.000	0.0006" 0.015	0.7480" 19.000	1.1810" 30.000	0.0050" 0.127	7350	4150
G5209KYB2**		1 1/2	1.5010" 38.125	0.0050" 0.127	3.3465" 85.000	0.0006" 0.015	1.1811" 30.000	1.2992" 33.000	0.0050" 0.127	9330	7580
209KRRB2	2	1 1/2	1.5010" 38.125	0.0050" 0.127	3.3465" 85.000	0.0006" 0.015	0.7480" 19.000	1.1810" 30.000	0.0050" 0.127	7350	4150
210PPB20	3	1 1/4	1.2550" 31.877	0.0050" 0.127	3.5433" 90.000	0.0006" 0.015	0.8661" 22.000	1.4350" 36.450	0.0050" 0.127	9070	5675
210PP20	3	1 1/4	1.2550" 31.877	0.0050" 0.127	3.5433" 90.000	0.0006" 0.015	0.8661" 22.000	1.4350" 36.450	0.0050" 0.127	9070	5675

Unit No.	TYPE	Shaft Size	A Nominal	B & A TOL.-0/ to Minus	D		Be Nominal	Bi Nominal	Be & Bi TOL.+0/ to Minus	Load Ratings	
					Nominal	TOL.+0/ to Minus Shown				Dynamic	Static
G210KPPB2*	4	1 1/2	1.5010" 38.125	0.0050" 0.127	3.5433" 90.000	0.005" 0.13	0.8661" 22.000	1.1811" 30.000	0.0050" 0.127	7780	4650
GC211-32-NLC*	3	1 3/4	1.7510" 44.475	0.0050" 0.127	3.9370" 100.000	0.0006" 0.015	0.9840" 25.000	2.2500" 57.150	0.0060" 0.152	9740	5850

Remark:

- *Relubricable.
- **Double row bearing with double lip shroud seals.
- ***Nylon slinger included.

— 200 Series



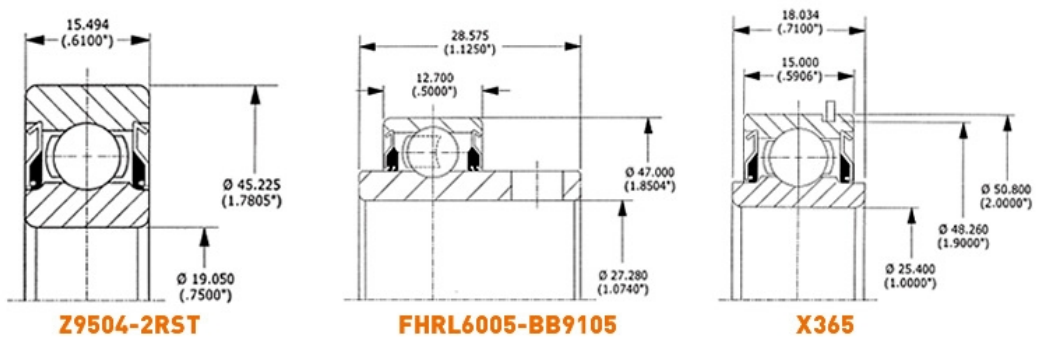
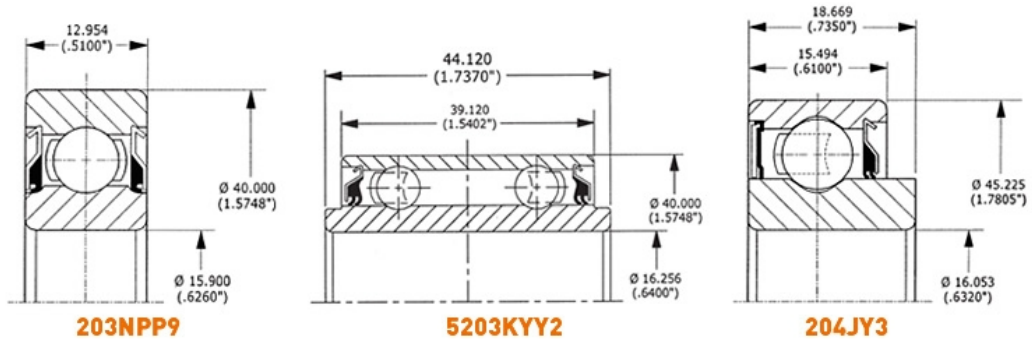
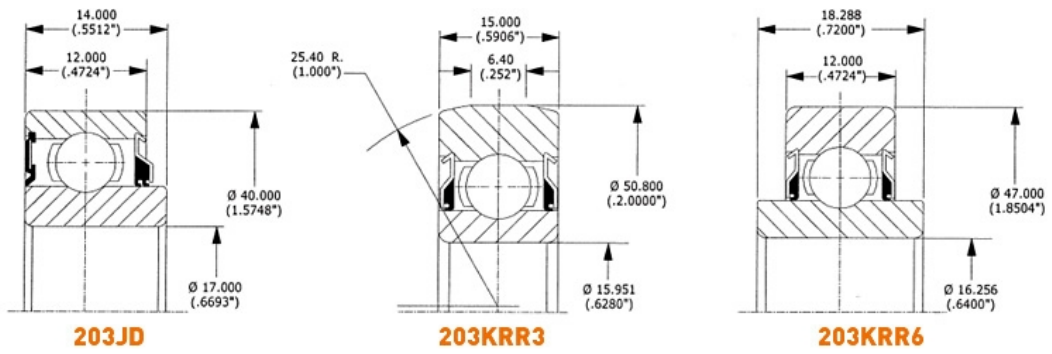
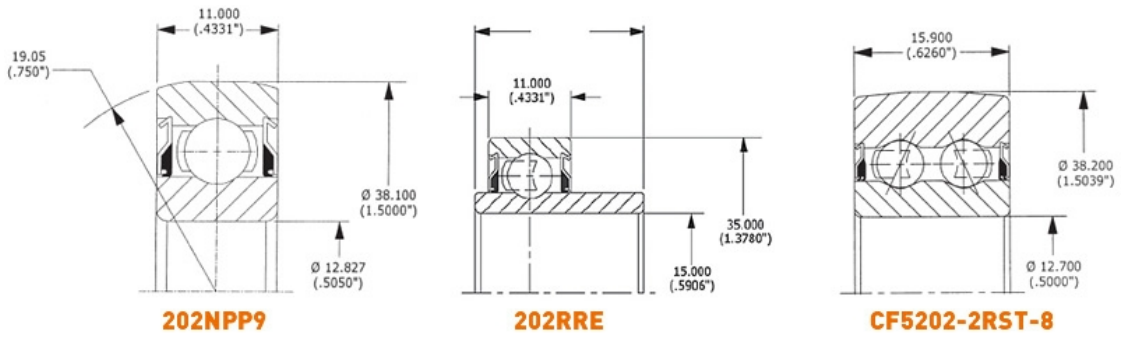
Unit No.	TYPE	d		D		Be		Bi		Load Ratings	
		Nominal	TOL.+0/ to Minus Shown	Nominal	TOL.+0/ to Minus Shown	Nominal	TOL.+0/ to Minus Shown	Nominal	TOL.+0/ to Minus Shown	Dynamic	Static
203KR2	3	0.6253" 15.883	0.0003" 0.008	1.5748" 40.000	0.0005" 0.013	0.5510" 14.000	0.0050" 0.127	0.4724" 12.000	0.0050" 0.127	2160	889
BB203KRR2*	1	0.6400" 16.260	0.0050" 0.127	1.5748" 40.000	0.0005" 0.013	0.7200" 18.288	0.0050" 0.127	0.4724" 12.000	0.0050" 0.127	1900	825
203KRR2	1	0.6400" 16.260	0.0050" 0.127	1.5748" 40.000	0.0005" 0.013	0.7200" 18.288	0.0050" 0.127	0.4724" 12.000	0.0050" 0.127	2160	889
BB203KRR2FD**	4	0.6400" 16.260	0.0050" 0.127	1.5748" 40.000	0.0005" 0.013	0.7200" 18.288	0.0050" 0.127	0.4724" 12.000	0.0050" 0.127	1900	825
203KRR5	1	0.5150" 13.081	0.0050" 0.127	1.5748" 40.000	0.0005" 0.013	0.7200" 18.288	0.0050" 0.127	0.4724" 12.000	0.0050" 0.127	2160	889
203KRR7	1	0.6693" 17.000	0.0003" 0.008	1.5748" 40.000	0.0005" 0.013	0.6540" 16.612	0.0050" 0.127	0.4724" 12.000	0.0050" 0.127	2160	889
207KRR	1	1.3780" 35.000	0.0005" 0.013	2.8346" 72.000	0.0005" 0.013	0.9840" 25.000	0.0050" 0.127	0.6690" 17.000	0.0050" 0.127	5770	3150
208KRR2	1	1.5748" 40.000	0.0005" 0.013	3.1496" 80.000	0.0005" 0.013	1.0630" 27.000	0.0050" 0.127	0.8270" 21.000	0.0050" 0.127	7340	3650

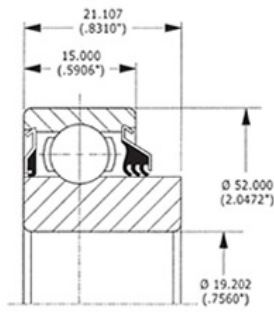
Remark:

*Basic 203KRR2 with gothic arch raceway.

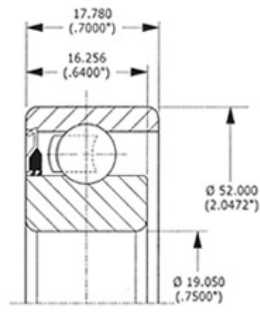
**Basic 203KRR2 with double lip seals and gothic arch raceway.

— Other

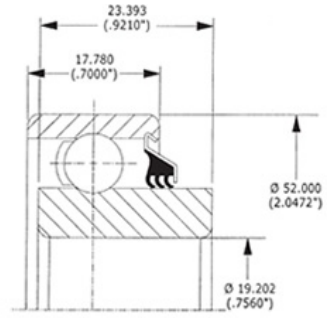




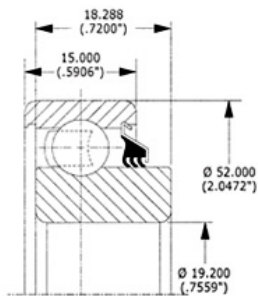
205KRP2



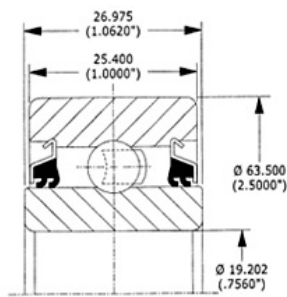
205KR3



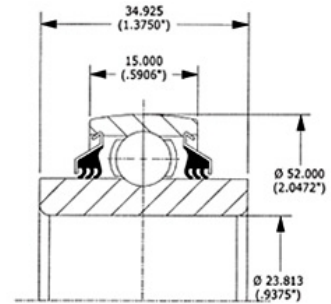
205KP6



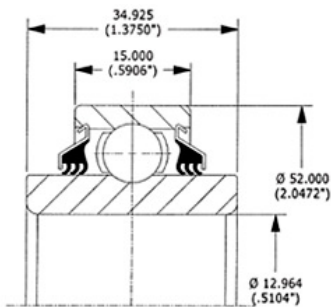
205KP8



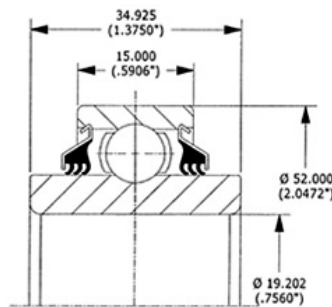
205KYY3



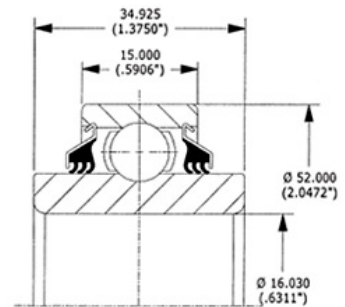
205PPB7



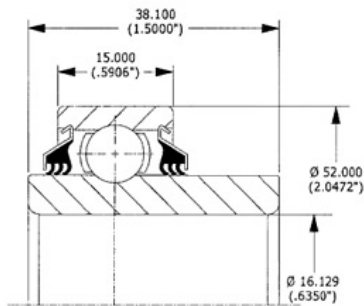
205PP8



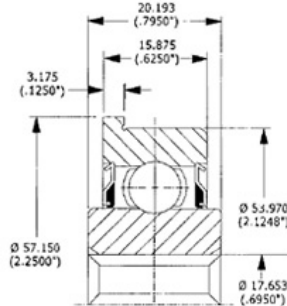
205PP9



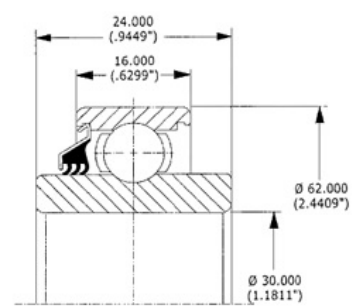
205PP10



205PP12

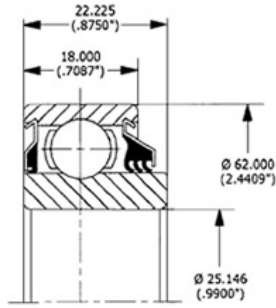


RX84*

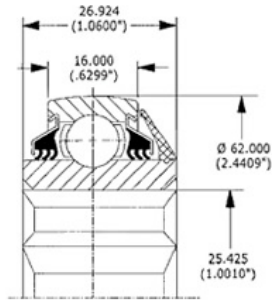


206KP2

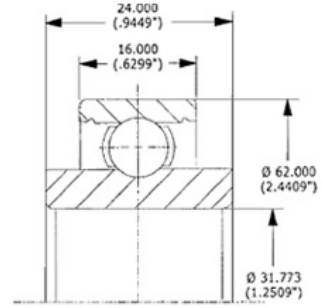
Remark:
*Hex bore.



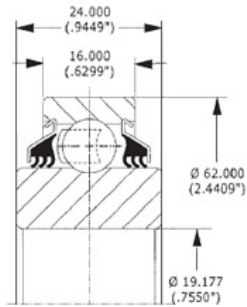
206KRP4



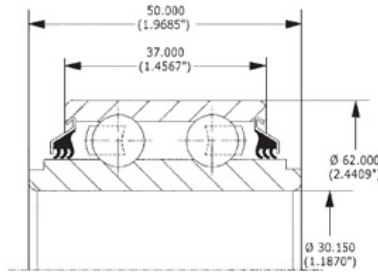
206KPPB5*



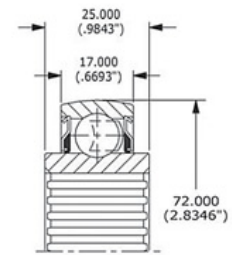
206K14



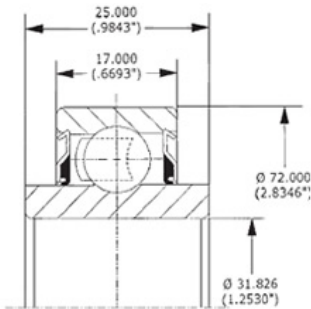
206KPP16



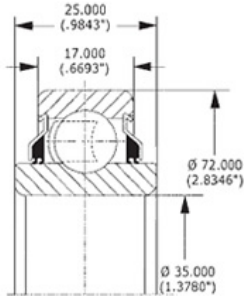
5206KPP3



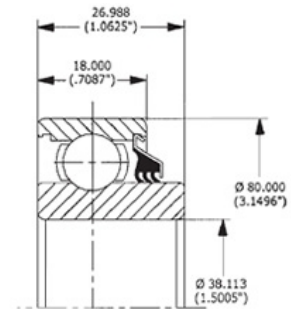
207KRRB12SPL**



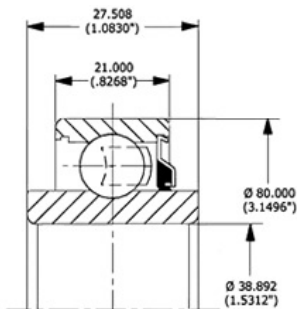
207KRR14



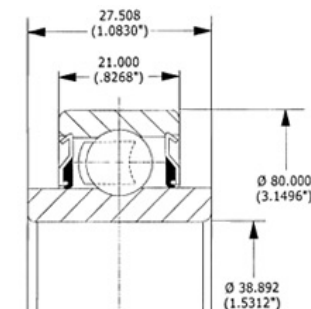
207KYY



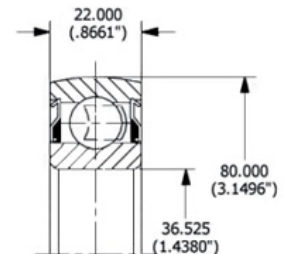
208KP2



208KR4



208KRR4

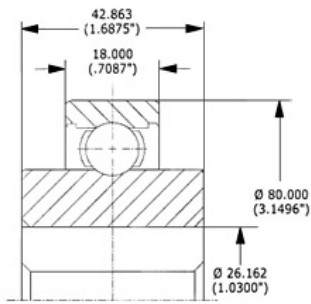


208NPPB5

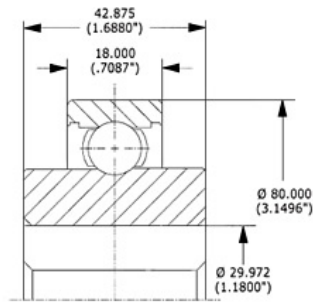
Remark:

*Hex bore.

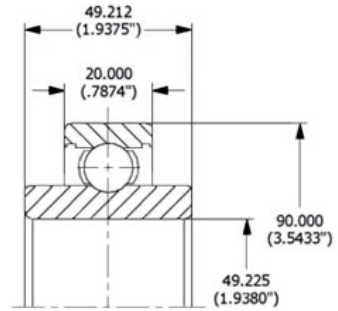
**Spline bore.



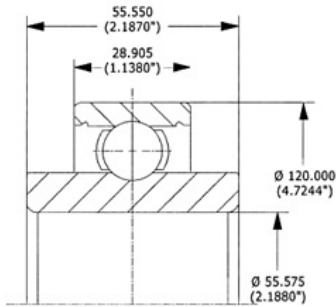
W208K2***



W208K3***



W210



W213-8445

Remark:

***Square bore.

ISUTAMI AG bearings interchange

ISUTAMI	PEER	FAFNIR	BCA
W208PPB2	W208PPB2	W208PPB2	
W208PP5	W208PP5	W208PP5	DC208TT5
W208PPB5	W208PPB5	W208PPB5	DS208TT5
W208PP6	W208PP6	W208PP6	DC208TT6
W208PPB6	W208PPB6	W208PPB6	DS208TT6
W208PPB7	W208PPB7	W208PPB7	DS208TT7
W208PP8	W208PP8	W208PP8	DC208TT8
W208PPB8	W208PPB8	W208PPB8	DS208TT8
W208PPB9	W208PPB9	W208PPB9	DS208TT9
W208PP10	W208PP10	W208PP10	DC208TT10
W208PPB10	W208PPB10	W208PPB10	
W208PPB11	W208PPB11	W208PPB11	DS208TT11
W208PPB12	W208PPB12	W208PPB12	DS208TT12
W208PPB13	W208PPB13	W208PPB13	DS208TT13
W208PPB23	W208PPB23	W208PPB23	DS208TT2A
GW208PPB5	GW208PPB5	GW208PPB5	DS208TTR5
GW208PPB6	GW208PPB6	GW208PPB6	DS208TTR6
GW208PPB8	GW208PPB8	GW208PPB8	DS208TTR8
GW208PP17	GW208PP17	GW208PP17	DC208TTR17
GW208PPB17	GW208PPB17	GW208PPB17	
W209PPB2	W209PPB2	W209PPB2	DS209TT2
W209PPB4	W209PPB4	W209PPB4	DS209TT4
W209PPB5	W209PPB5	W209PPB5	DS209TT5
W209PPB7	W209PPB7	W209PPB7	DS209TT7
GW209PPB2	GW209PPB2	GW209PPB2	DS209TTR2
GW209PPB4	GW209PPB4	GW209PPB4	DS209TTR4
GW209PPB5	GW209PPB5	GW209PPB5	DS209TTR5
GW209PPB8	GW209PPB8	GW209PPB8	DS209TTR8
GW209PPB11	GW209PPB11	GW209PPB11	DS209TTR11
W210PP2	W210PP2	W210PP2	DC210TT2
W210PPB2	W210PPB2	W210PPB2	DS210TT2
W210PP4	W210PP4	W210PP4	DC210TT4
W210PPB4	W210PPB4	W210PPB4	DS210TT4
W210PPB5	W210PPB5	W210PPB5	DS210TT5
W210PPB6	W210PPB6	W210PPB6	DS210TT6
W210PP8	W210PP8		
W210PPB9	W210PPB9	W210PPB9	
GW210PPB2	GW210PPB2	GW210PPB2	DS210TTR2
GW210PP4	GW210PP4	GW210PP4	DC210TTR4
GW210PPB4	GW210PPB4	GW210PPB4	DS210TTR4
GW210PPB5	GW210PPB5	GW210PPB5	DS210TTR5R

ISUTAMI	PEER	FAFNIR	BCA
GW210PP9	GW210PP9		
W211PP2	W211PP2	W211PP2	DC211TT2
W211PPB2	W211PPB2	W211PPB2	DS211TT2
W211PP3	W211PP3	W211PP3	DC211TT3
W211PPB3	W211PPB3	W211PPB3	DS211TT3
W211PPB4	W211PPB4	W211PPB4	DS211TT4
W211PP5	W211PP5	W211PP5	DC211TT5
W211PPB5	W211PPB5	W211PPB5	
GW211PP2	GW211PP2	GW211PP2	DC211TTR2
GW211PPB2	GW211PPB2	GW211PPB2	DS211TTR2
GW211PP3	GW211PP3	GW211PP3	DC211TTR3
GW211PPB3	GW211PPB3	GW211PPB3	DS211TTR3
GW211PP5	GW211PP5	GW211PP5	
GW211PP8	GW211PP8		
GW211PPB9	GW211PPB9	GW211PPB9	DS211TTR9
GW211PPB10	GW211PPB10		
GW211PPB13	GW211PPB13	GW211PPB13	DS211TTR13
GW211PPB14	GW211PPB14		
GW211PP17	GW211PP17	GW211PP17	DC211TTR3E
GW211PPB17	GW211PPB17	GW211PPB17	
GW211PP25	GW211PP25	GW211PP37	DC211TTR21
GW212PP50	GW212PP50		
W214PP2	W214PP2		
W214PPB2	W214PPB2		
W214PPB9	W214PPB9		
GW214PP2	GW214PP2	GW214PP2	DC214TTR2
GW214PPB2	GW214PPB2	GW214PPB2	
GW214PPB3	GW214PPB3		DS214TTR3
GW214PPB4	GW214PPB4	GW214PPB4	
GW214PPB5	GW214PPB5	GW214PPB5	DS214TTR5
GW214PPB6	GW214PPB6		DS214TTRA
GW216PP2	GW216PP2	GW216PP2	DC216TTR2
RX84	RX84		
X365	X365		
202KRR3	202KRR3	202KRR3	
202NPP9	202NPP9	202NPP9	202FFH8
202RRE	202RRE	J202KRR8	202RRE
CF5202-2RST-8	CF5202-2RST-8		
203JD	203JD		203K
203KR2	203KR2	203KR2	
BB203KRR2	BB203KRR2	BB203KRR2	20RRAR10N2
BB203KRR2FD	BB203KRR2FD		
203KRR2	203KRR2	203KRR2	203RRAR10

ISUTAMI	PEER	FAFNIR	BCA
203KRR3	203KRR3	203KRR3	8984YY
203KRR6	203KRR6	203KRR6	203RRH10
203KRR7	203KRR7		
203KRR9	203KRR9	203KRR9	
5203KYY2	5203KYY2	5203KYY2	
Z9504-2RST	Z9504-2RST	P204RR6	204BBAR
204KRR2	204KRR2	204KRR2	HPC011GP
204KRRB2	204KRRB2	204KRRB2	
204KPP2	204KPP2		
204JY3	204JY3	204RY2	204FVMN
204RR8	204RR8	204RR8	204BBE
205KRP2	205KRP2	205KRP2	205RVA
205KR3	205KR3	205KR3	205RHN
205KP6	205KP6	205KP6	205TNJ
205KP8	205KP8	205KP	205-TNK
205KPP2	205KPP2		
205KPPB2	205KPPB2		
205KRR2	205KRR2	205KRR2	HPC014GP
205KRRB2	205KRRB2	205KRRB2	HPS014GP
205KYY3	205KYY3	205KYY3	205-VVA
205PPB7	205PPB7	205PPB7	205TTH
205PP8	205PP8	205PP8	
205PP9	205PP9	205PP9	205TTB
205PP10	205PP10	205PP10	
205PP12	205PP12	205PP12	205TTP
FHRL6005-BB9105	FHRL6005-BB9105		
206K14	206K14	206K14	
206KP2	206KP2	206KP2	
206KPP4	206KPP4		
206KPP16	206KPP16	206KPP16	206GGH
206KRR6	206KRR6	206KRR6	HPC100GP
206KRRB6	206KRRB6	206KRRB6	HPS100GP
206KRP4	206KRP4	206KRP4	
G206KPPB4	G206KPPB4		
206KPPB5	206KPPB5	206KPPB5	
5206KPP3	5206KPP3	5206KPP3	
G207KPPB2	G207KPPB2	G207KPPB2	HPS102TR
207KRR14	207KRR14	207KRR14	
207KRRB9	207KRRB9	207KRRB9	HPS102GP
207KRRB12	207KRRB12	207KRRB12	HPS102GPE
207KRRB12SPL	207KRRB12SPL		SPS105GPN
207KYY	207KYY	207KYY	
GW208PPB22	GW208PPB22	GW208PPB22	

ISUTAMI	PEER	FAFNIR	BCA
W208K2	W208K2	W208K2	
W208K3	W208K3	W208K3	
W208KRRB6	W208KRRB6	W208KRRB6	HPS106GPN
W208PPB16	W208PPB16	W208PPB16	HPS104TP
W208PP21	W208PP21		
208KRR2	208KRR2		
208KRR4	208KRR4	208KRR4	
208KP2	208KP2		
208KR4	208KR4		
208NPPB5	208NPPB5	208NPPB5	
G209KPPB2	G209KPPB2		
209KRRB2	209KRRB2	209KRRB2	HPS108GPH
G5209KYYB2	G5209KYYB2		
210PPB20	210PPB20		
210PP20	210PP20		
G210KPPB2	G210KPPB2		
W210	W210		DC210
GC211-32-NLC	GC211-32-NLC	GC1200KPPB2	
W213-8445	W213-8445		8445